

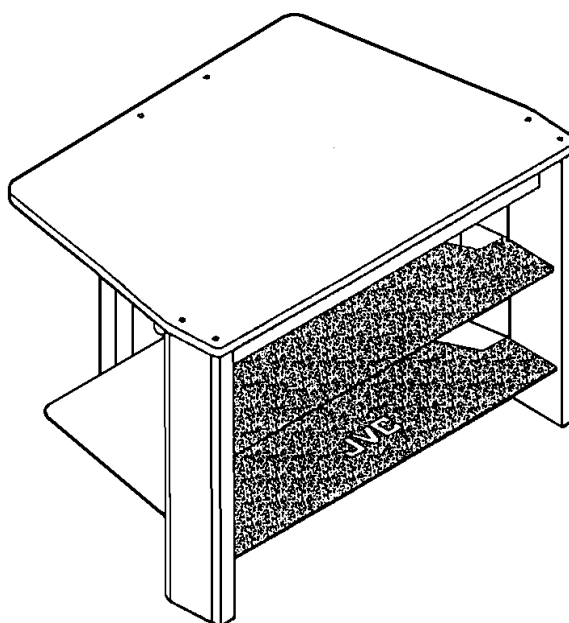
RK-C28WF2G  
RK-C28WF2B  
RK-C28WF2S

# JVC

## SERVICE MANUAL

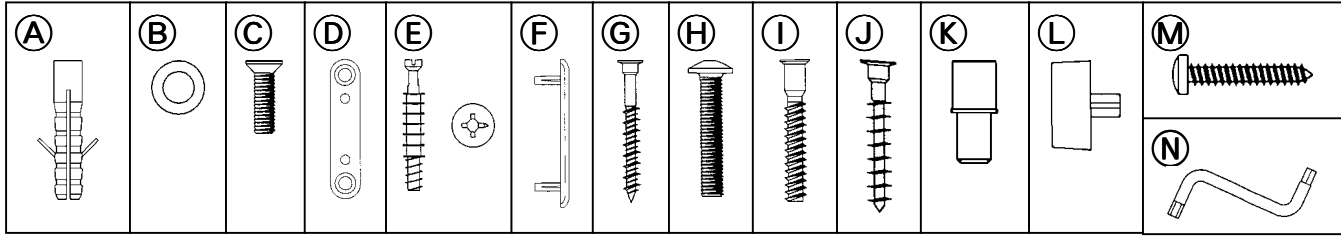
TV STAND

**RK-C28WF2G**  
**RK-C28WF2B**  
**RK-C28WF2S**



RK-C28WF2G  
 RK-C28WF2B  
 RK-C28WF2S

## FIXING KIT



## PARTS LIST

△	Ref. No.	Parts No.	Parts Name	Description
		16JVC50RCT	TOP PANEL	RK-C28WF2G *
		16JVC46RCT	TOP PANEL	RK-C28WF2B *
		16JVC33RCT	TOP PANEL	RK-C28WF2S *
		16JVC50BPRO	FRONT PROFILES	(× 2) RK-C28WF2G *
		16JVC46BPRO	FRONT PROFILES	(× 2) RK-C28WF2B *
		18JVC33BPRO	FRONT PROFILES	(× 2) RK-C28WF2S *
		16JVC50APRO3	BACK PROFILE	RK-C28WF2G *
		16JVC46APRO3	BACK PROFILE	RK-C28WF2B *
		16JVC33APRO3	BACK PROFILE	RK-C28WF2S *
		16JVC50RAIL1	FRONT RAIL	RK-C28WF2G *
		16JVC46RAIL1	FRONT RAIL	RK-C28WF2B *
		16JVC33RAIL1	FRONT RAIL	RK-C28WF2S *
		16JVC50RAIL2	BACK RAIL	RK-C28WF2G *
		16JVC46RAIL2	BACK RAIL	RK-C28WF2B *
		16JVC33RAIL2	BACK RAIL	RK-C28WF2S *
		2JVC33BRA2	REAR BRACE	(× 4) *
		2JVC33BRA1	FRONT BRACE	(× 2) RK-C28WF2G *
		2JVCBRA1	FRONT BRACE	(× 2) RK-C28WF2S, RK-C28WF2B *
		4JVC33BAK	FIBRE BOARD BACK	*
		6GSJVC331	SHAPED GLASS	RK-C28WF2S, RK-C28WF2G *
		6GSJVC332	SHAPED GLASS	RK-C28WF2S, RK-C28WF2G *
		6GSJVC46C	SHAPED GLASS	(× 2) RK-C28WF2B *
		8JVC33BOX	BOX	*
		8JVC50LID	PRINTED LID	RK-C28WF2G *
		8JVC46LID	PRINTED LID	RK-C28WF2B *
		8JVC33LID	PRINTED LID	RK-C28WF2S *
		10JVC33B	ASSEMBLY INSTRUCTION	*
	C D E G H I J M	12JVC33B1	MACHINE FIXING KIT. CONTAINING	RK-C28WF2S, RK-C28WF2G *
	C D E G H I J M	12JVC46B1	MACHINE FIXING KIT. CONTAINING	RK-C28WF2B *
	F N	12JVC332	HAND FIXING KIT. CONTAINING	*
	A B K L	12JVC333	HAND FIXING KIT. CONTAINING	*

# JVC

VICTOR COMPANY OF JAPAN, LIMITED  
 HOME AV NETWORK BUSINESS UNIT 1106 Heta, Iwai-city, Ibaraki-prefecture, 306-0698, Japan